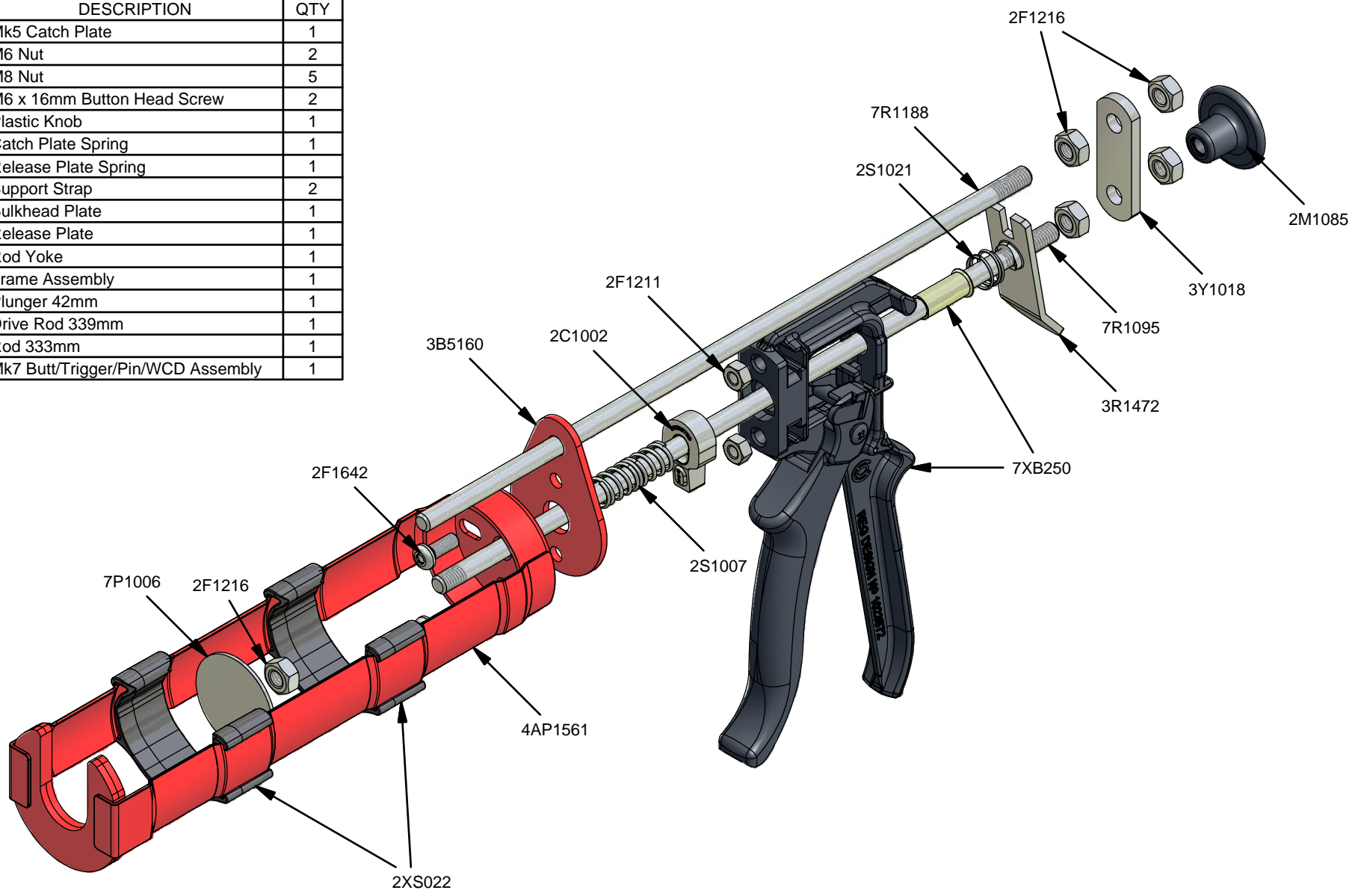


Parts List		
STOCK No	DESCRIPTION	QTY
2C1002	Mk5 Catch Plate	1
2F1211	M6 Nut	2
2F1216	M8 Nut	5
2F1642	M6 x 16mm Button Head Screw	2
2M1085	Plastic Knob	1
2S1007	Catch Plate Spring	1
2S1021	Release Plate Spring	1
2XS022	Support Strap	2
3B5160	Bulkhead Plate	1
3R1472	Release Plate	1
3Y1018	Rod Yoke	1
4AP1561	Frame Assembly	1
7P1006	Plunger 42mm	1
7R1095	Drive Rod 339mm	1
7R1188	Rod 333mm	1
7XB250	Mk7 Butt/Trigger/Pin/WCD Assembly	1



CBM 330A

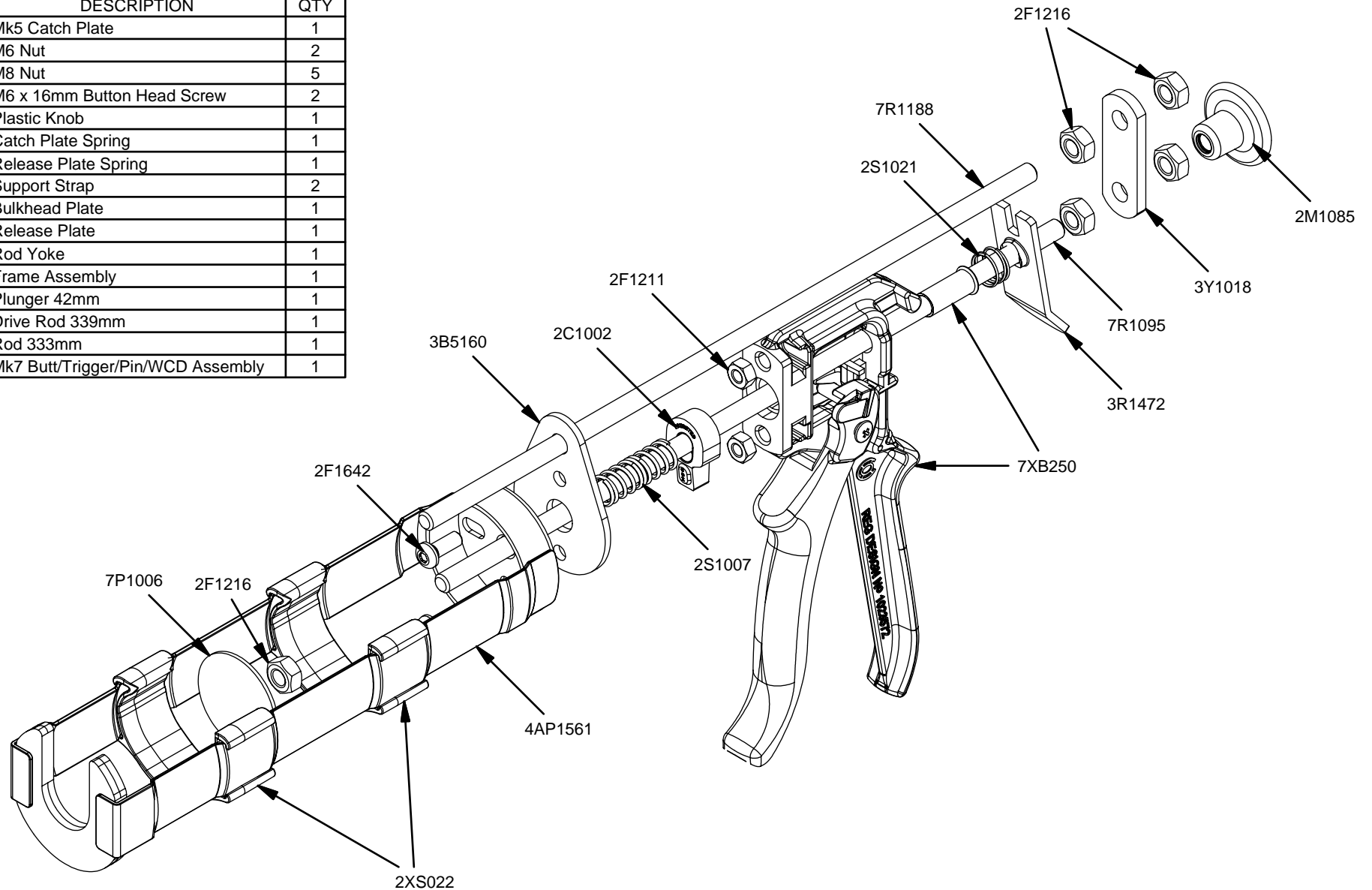


www.pccox.co.uk
 sales@pccox.co.uk
 TEL:44(0)1635 264500

REV
 E

DATE
 31/08/2010

Parts List		
STOCK No	DESCRIPTION	QTY
2C1002	Mk5 Catch Plate	1
2F1211	M6 Nut	2
2F1216	M8 Nut	5
2F1642	M6 x 16mm Button Head Screw	2
2M1085	Plastic Knob	1
2S1007	Catch Plate Spring	1
2S1021	Release Plate Spring	1
2XS022	Support Strap	2
3B5160	Bulkhead Plate	1
3R1472	Release Plate	1
3Y1018	Rod Yoke	1
4AP1561	Frame Assembly	1
7P1006	Plunger 42mm	1
7R1095	Drive Rod 339mm	1
7R1188	Rod 333mm	1
7XB250	Mk7 Butt/Trigger/Pin/WCD Assembly	1



CBM 330A



www.pccox.co.uk
 sales@pccox.co.uk
 TEL:44(0)1635 264500

REV

E

DATE

31/08/2010